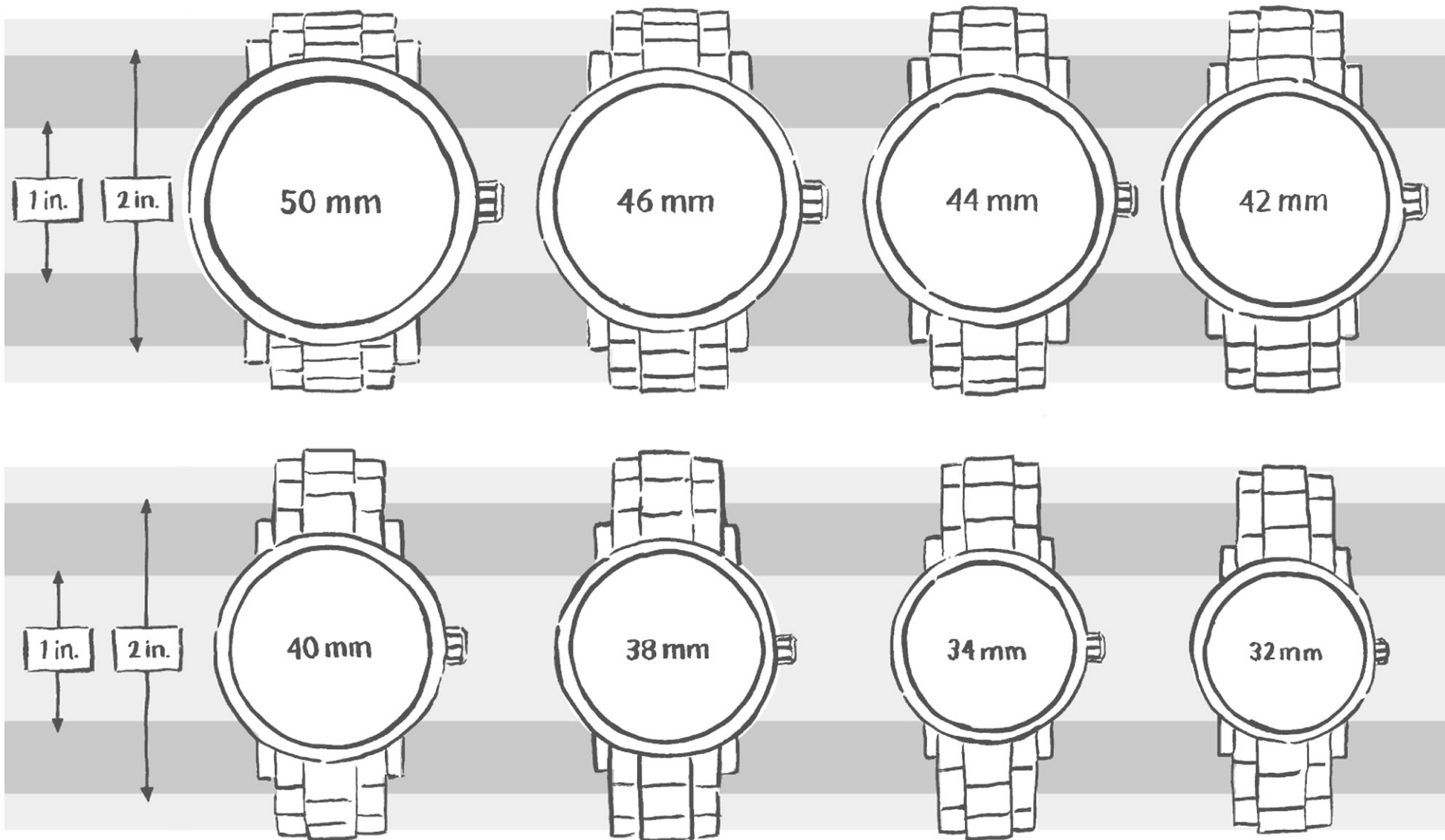


# PRINTABLE SIZE GUIDE

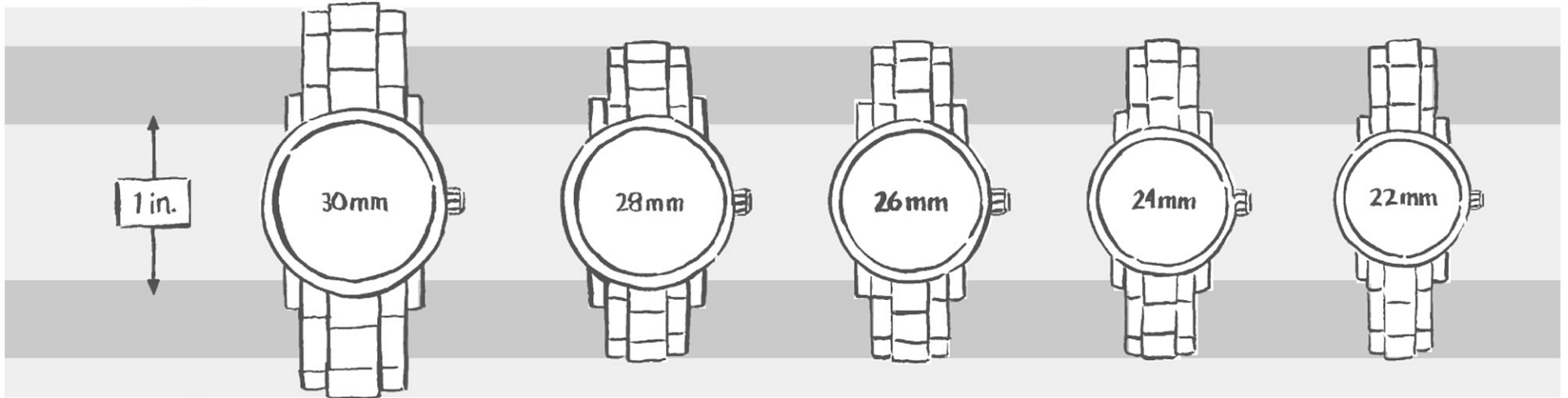
---

Find the watch that perfectly complements your wrist by following the instructions below.

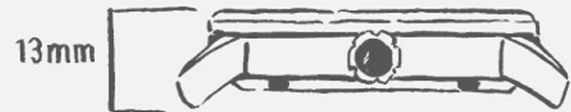
1. Print out this template on 8½"x11" standard paper.
2. Select your desired watch size and cut out.
3. Place the cut-out on your wrist to determine what size looks best on you!



# PRINTABLE SIZE GUIDE



## THICKNESS

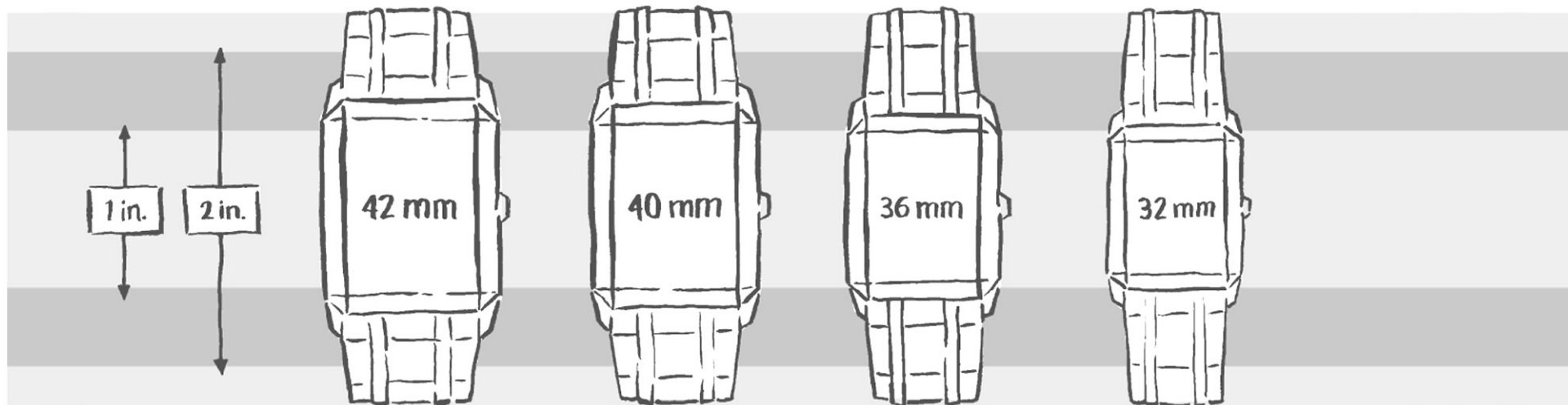
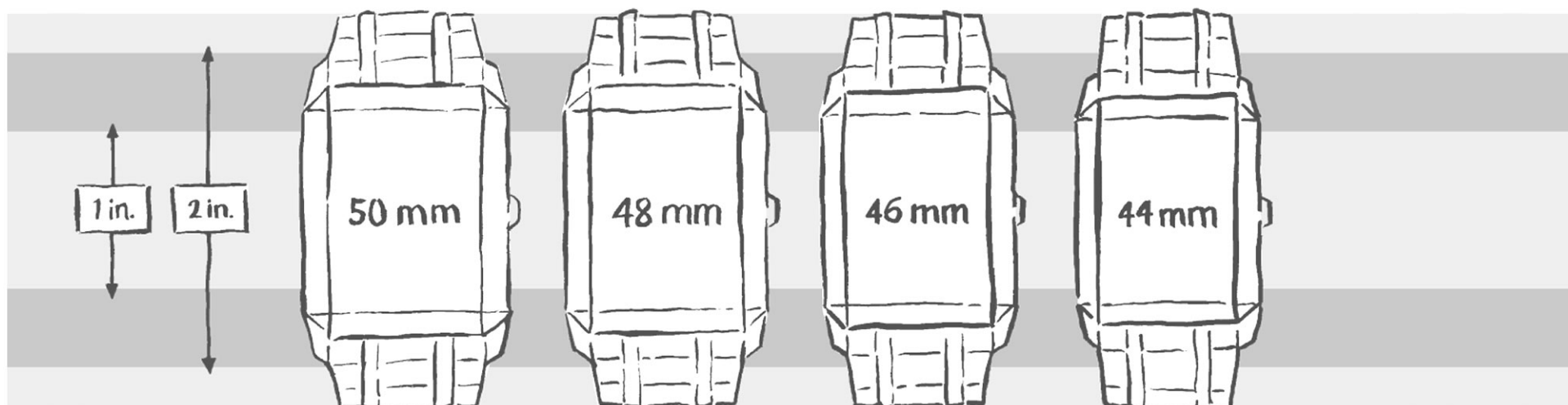


# PRINTABLE SIZE GUIDE

---

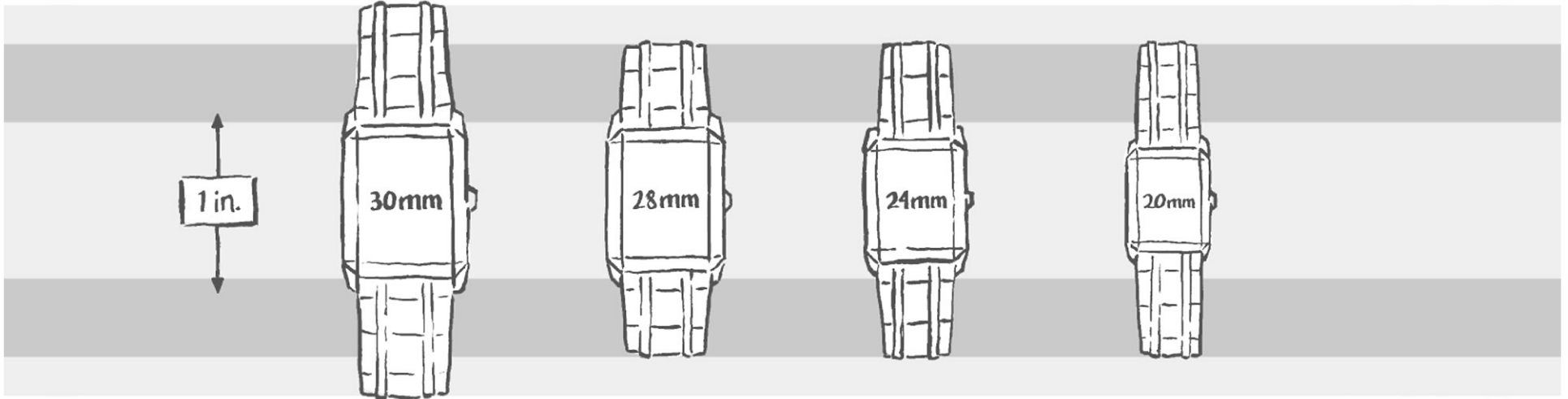
Find the watch that perfectly complements your wrist by following the instructions below.

1. Print out this template on 8½"x11" standard paper.
2. Select your desired watch size and cut out.
3. Place the cut-out on your wrist to determine what size looks best on you!



# PRINTABLE SIZE GUIDE

---



## THICKNESS

